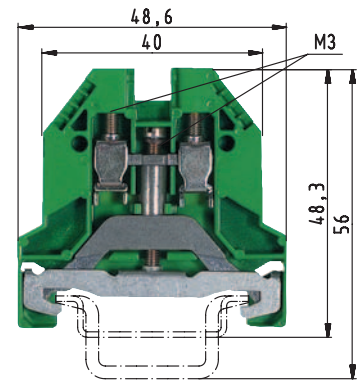
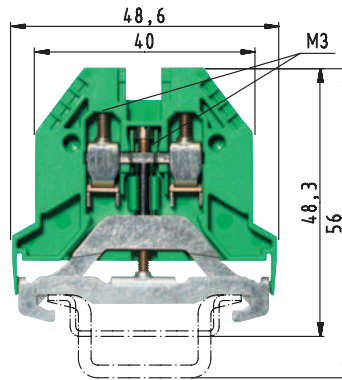


Ground blocks with screw connection for junction boxes, type **WKI SL**

selos BIT



*) Ratings of adjacent feed-through block same series and size

EN 60 947-7-2/DIN VDE 0611 T3
UL ratings
CSA ratings
Width
Approvals

Wire strip length

WK 2,5 SL/35

fine-stranded solid V A
0.5 – 2.5 mm² 0.5 – 4 mm² 500 V/6 kV/3*)
No. 22-12 AWG
No. 24-12 AWG
5 mm 9 mm

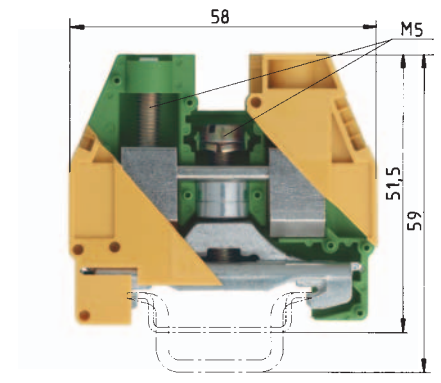
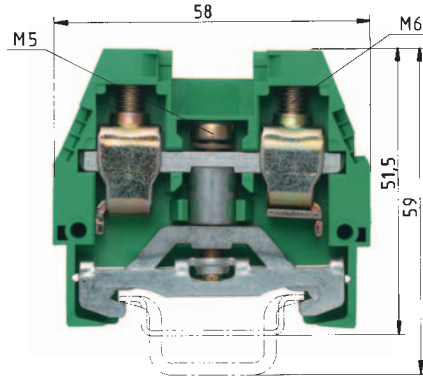
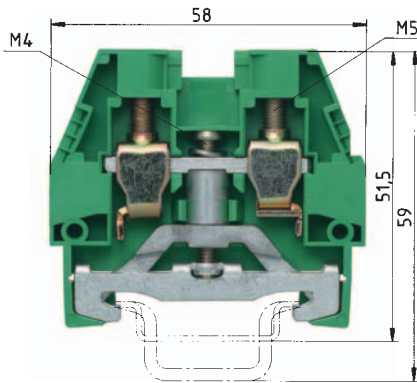
WK 4 SL/35

fine-stranded solid V A
0.5 – 4 mm² 0.5 – 6 mm² 800 V/8 kV/3*)
No. 22-10 AWG
No. 22-10 AWG
6 mm 9 mm

			Type	Part No.	Std. Pack	Type	Part No.	Std. Pack
Ground block	with U-foot	green/yellow	WK 2,5 SL/35	56.503.9055.0	100			
Ground block	for TS 35	green/yellow				WK 4 SL/35	56.504.9055.0	100
Accessories								
1. Mounting rail TS 35, DIN rail 7.5 mm high	L = 2 m		35 x 27 x 7,5 EN 60715	98.300.0000.0	1	35 x 27 x 7,5 EN 60715	98.300.0000.0	1
Mounting rail TS 35, DIN rail 15 mm high	L = 2 m		35 x 27 x 15 EN 60715	98.360.0000.0	1	35 x 27 x 15 EN 60715	98.360.0000.0	1
2. End clamp for TS 35, with screw	8 mm wide					9708/2 S35	Z5.522.8553.0	100
End clamp for TS 35, without screws	8 mm wide					WEF 1/35	Z5.523.9353.0	100
3. End plate	1.5 mm thick	gray						
	1.5 mm thick	blue						
	1.5 mm thick	green	AP 2,5-4 SL	07.311.7155.0	10	AP 2,5-4 SL	07.311.7155.0	10
End plate	2 mm thick	gray						
	2 mm thick	blue						
	2 mm thick	green						
4. Partition plate		gray						
		blue						
5. Cross connector with screws (jumper bar)	2 pole							
insulated	3 pole							
	4 pole							
	5 pole							
	6 pole							
6. Partition plate with marking facility		yellow						
7. Cover with marking facility		yellow	AD VB 2,5 GELB	04.326.2053.8	10	AD VB4 GELB	04.326.2153.8	10
8. Cover with warning symbol over 4 blocks		yellow	AD VB 5/4 GELB	04.343.4756.8	10	AD VB 6/4 GELB	04.343.4856.8	10
Cover with warning symbol for 1 block		yellow						
9. Busbar								
E-Cu 10 x 3 mm, tin-plated, I _N = 140	L = 1 m							
E-Cu 10 x 3 mm, unplated, I _N = 140 A	L = 1 m							
10. Connector clamp for busbar								
	16 mm ²	8.5 mm wide						
	35 mm ²	17 mm wide						
11. Busbar support		4 mm wide						
Busbar support		8 mm wide						
Marking accessories see page 230-237								

Ground blocks with screw connection for junction boxes, type **WKI SL**

setos



enclosed design

WKI 10 SL/35

fine-stranded solid/stranded V A
 1 – 10 mm² 1.5 – 16 mm² 800 V/8 kV/3*)
 No. 16-6 AWG 600 V*)
 No. 16-6 AWG
 10 mm 18 mm

WKI 16 SL/35

fine-stranded solid/stranded V A
 1 – 16 mm² 1.5 – 25 mm² 400 V/6 kV/3*)
 No. 12-4 AWG 600 V*)
 12 mm 16 mm

WKI 35 SL/35

fine-stranded stranded V A
 16 – 35 mm² 16 – 50 mm² 400 V/6 kV/3*)
 No. 10-2 AWG
 16 mm 13 mm

Type	Part No.	Std. Pack	Type	Part No.	Std. Pack	Type	Part No.	Std. Pack
WKI 10 SL/35	56.510.9255.0	50	WKI 16 SL/35	56.516.9255.0	50	WKI 35 SL/35	56.535.9255.0	20
35 x 27 x 7,5 EN 60715	98.300.0000.0	1	35 x 27 x 7,5 EN 60715	98.300.0000.0	1	35 x 27 x 7,5 EN 60715	98.300.0000.0	1
35 x 27 x 15 EN 60715	98.360.0000.0	1	35 x 27 x 15 EN 60715	98.360.0000.0	1	35 x 27 x 15 EN 60715	98.360.0000.0	1
9708/2 S35	Z5.522.8553.0	100	9708/2 S35	Z5.522.8553.0	100	9708/2 S35	Z5.522.8553.0	100
WEF 1/35	Z5.523.9353.0	100						
API 10-16 SL	07.311.9555.0	10	API 10-16 SL	07.311.9555.0	10			
AD VB 10 GELB	04.326.2353.8	10	AD VB 16 GELB	04.326.2453.8	10	AD VB 10 GELB	04.326.2353.8	10
AD 10/1 GELB	04.325.8553.8	10	AD 16/1 GELB	04.325.8653.8	10	AD 35/1 GELB	04.325.8753.8	10